

Top Step 525T

Kit Number KPL-24317 (Left) or KPL-24318 (Right)

Installation Instructions

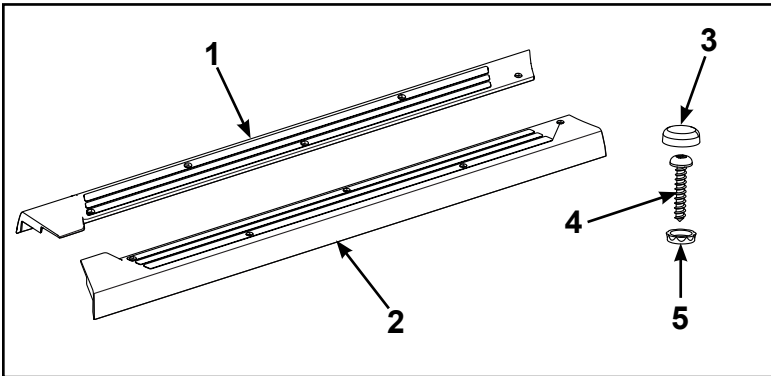
This instruction sheet describes how to replace the top step for Cybex treadmill model 525T.

Tools Required

- Phillips screwdriver
- Torque screwdriver
- Flat head screwdriver

Read and understand all instructions thoroughly before installing this kit.

Verify the kit contents shown. Kit contains one top step (left or right).



	Description
1	Top step, Left
2	Top step, Right
3	Screw cover, HX-23857 (5)
4	Screw, HS-23811 (5)
5	Screw cover base, HX-23858 (5)

Disconnect external power source

1. Turn the main power switch to the off (O) position.



WARNING: Shock and electrocution hazard

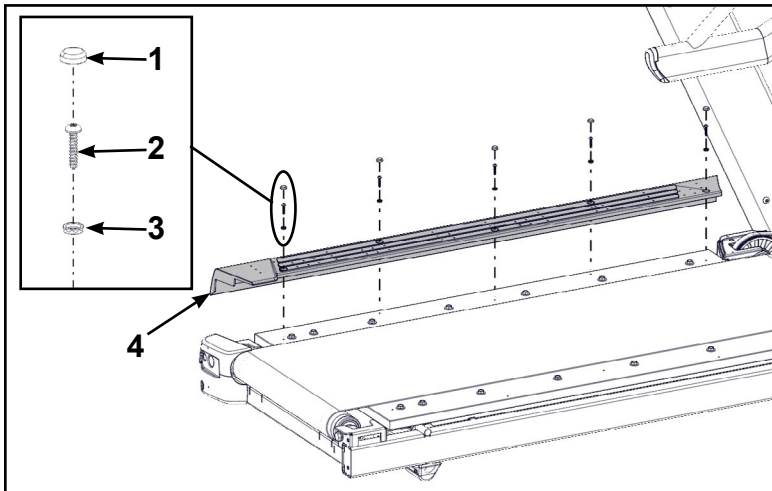
- Unplug unit and let sit 10 minutes before cleaning or performing maintenance
- Electrical charge can remain in unit after unplugging
- Keep water and liquids away from electrical parts

2. Unplug the power cord from the power outlet.

For the left top step kit, follow procedure on page 2. For the right top step kit, follow procedure on page 3.

Remove left top step

1. Remove the five screw covers from the left top step using a flat head screwdriver.

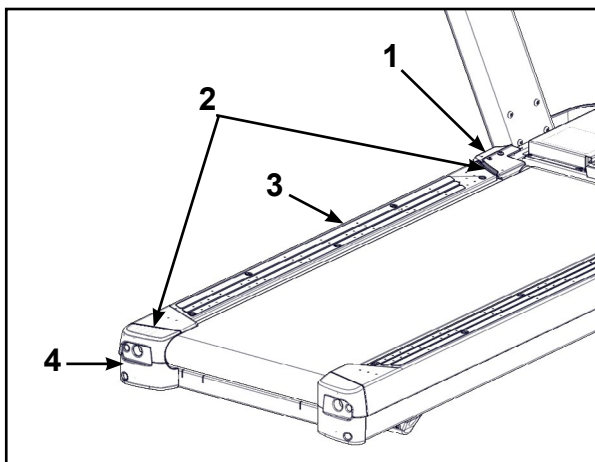


	Description
1	Screw cover (5)
2	Screw (5)
3	Screw cover base, (5)
4	Top step, left

2. Remove the five screws and five screw cover bases securing the left top step using a Phillips screwdriver.
3. Remove top step.

Install left top step

1. Install the five screws and five screw cover bases securing the new left top step using a Phillips screwdriver. Do not tighten screws at this time.
2. Align the top step to be centered between the hood cover support and end cap. The gaps should be equal.



	Description
1	Motor cover support
2	Gaps
3	Top step
4	End cap

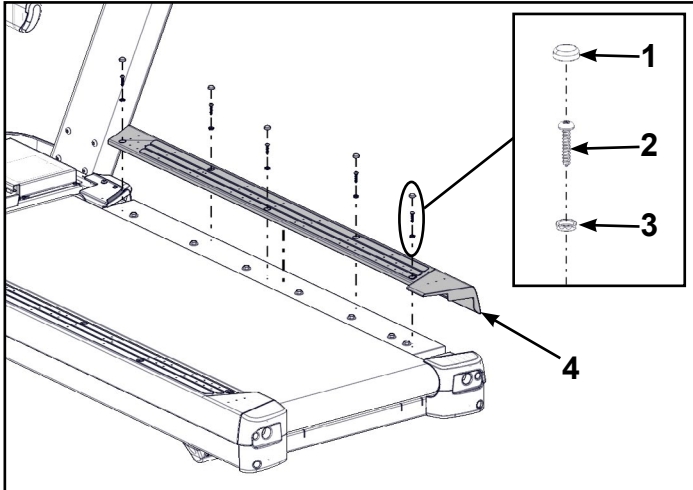
NOTICE: Do not use power tools

The deck holes will strip out if over tightened.

3. Tighten the five screws to 28 in-lbs (3.16 Nm) using a torque screwdriver.
4. Install the five screw covers to the top step.
5. Proceed to *Test the unit for proper operation.*

Remove right top step

1. Remove the five screw covers from the right top step using a flat head screwdriver.

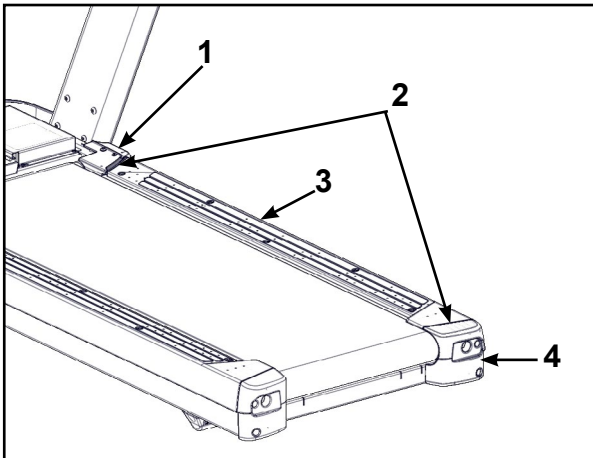


	Description
1	Screw cover (5)
2	Screw (5)
3	Screw cover base, (5)
4	Top step, right

2. Remove the five screws and five screw cover bases securing the right top step using a Phillips screwdriver.
3. Remove top step.

Install right top step

1. Install the five screws and five screw cover bases securing the new right top step using a Phillips screwdriver. Do not tighten screws at this time.
2. Align the top step to be centered between the hood cover support and end cap. The gaps should be equal.



	Description
1	Motor cover support
2	Gaps
3	Top step
4	End cap

NOTICE: Do not use power tools

The deck holes will strip out if over tightened.

3. Tighten the five screws to 28 in-lbs (3.16 Nm) using a torque screwdriver.
4. Install the five screw covers to the top step.

Test the unit for proper operation

1. Plug the power cord into the power outlet.
2. Turn the main power switch to the on (I) position.
3. Operate the unit at all levels to verify proper operation.